

**Refrigeration Equipment
Mega Top Table, 29" with 9GN 1/6
containers - Stainless Steel (R290)**

ITEM # _____
MODEL # _____
NAME # _____
SIS # _____
AIA # _____



738259 (KCHMT29.12)

1-door mega top preparation table, 29", R290 refrigerant gas, +33/+41°F, stainless steel

Short Form Specification

Item No. _____

1-door mega top refrigerated preparation table. Exterior back panel in aluminium, exterior bottom panel in galvanized steel, exterior side and top panel in 430 stainless steel; interior back, top and interior bottom panels in 304 stainless steel, worktop in 430 stainless steel.

Built-in refrigeration unit and an insulated lid to maintain food freshness. Fin & Tube Condenser improves performance in high-temperature environments. Automatic Defrost Cooling System to provide worry-free performances.

Full-depth cutting board of 29x9x0,5 in.

Control panel, Vinyl-Coated Steel adjustable shelves, removable door gaskets and self-closing doors with 90-degree stay-open feature.

Temperature range: +33/+41°F.

R290 gas in the refrigeration circuit.

ETL Safety and Sanitation certifications.

3/5 Years warranty.

Main Features

- External temperature display.
- CFC and HCFC free, highly ecological refrigerant type: R290 (ecological gas in foam: cyclopentane). Hydrocarbon refrigerant gas R290 for the lowest environmental impact (GWP=3), to reduce green house and ozone depletion effects.
- Removable door gasket for easy cleaning operations.
- Hydrocarbon refrigerant gas R290 for the lowest environmental impact (GWP=3) - CFC and HCFC free.
- Fin & Tube Condenser improves performance in high temperature environments.
- Automatic Defrost Cooling System provides worry-free performance.
- Electronic Temperature Control, quick and simple to set, with control display for easy monitoring.
- Full Depth cutting board.
- High efficiency components to minimize the energy consumption still guaranteeing the highest performances.
- Cabinet and door insulated with high density polyurethane for low environmental impact.
- Heavy duty Vinyl coated steel shelves.

Construction

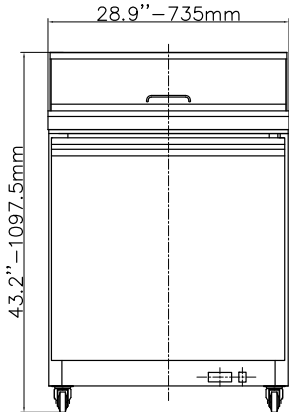
- Heavy duty casters.
- Insulated lid maintains food freshness.
- Pre-wired heavy duty power cord.
- Heavy duty door hinges.
- Magnetic door gasket removable without tools for easy cleaning.

Optional Accessories

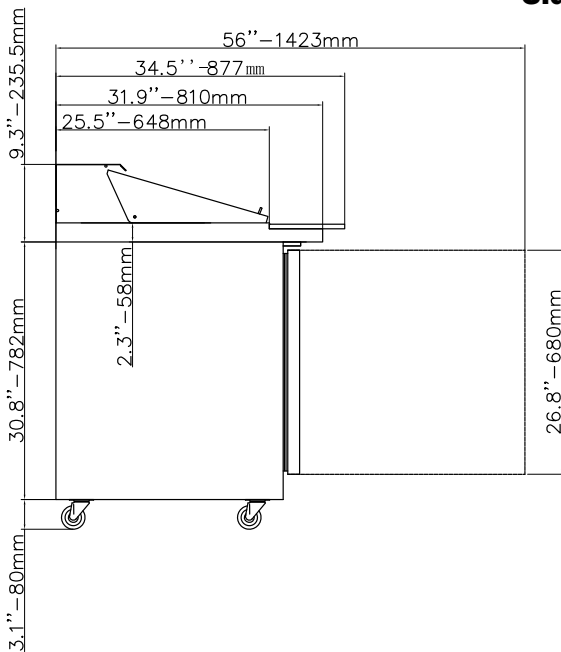
- shelf for 29 mega top and salad counter PNC 880600
- shelf clips PNC 880611
- pan divider for mega top PNC 880612
- drawers kit for 29" mega top PNC 880615

APPROVAL: _____

Front

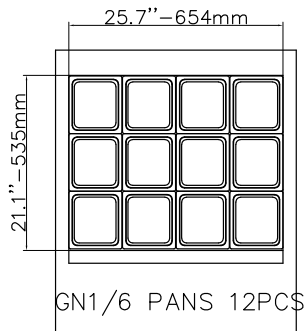


Side



EI = Electrical connection
RI = Refrigerant Inlet
RO = Refrigerant Outlet

Top



Electric

Supply voltage:

738259 (KCHMT29.12) 115 V/1 ph/60 Hz

Electrical power, max: 0.5 kW

Current consumption: 5 Amps

Plug type: USA NEMA 5-15P

Capacity:

Gross capacity: 7 cu.feet

Key Information:

Door hinges: Right Side
External dimensions, Width: 28 7/8" (735 mm)
External dimensions, Depth: 34 1/2" (877 mm)
External dimensions, Height: 43 1/4" (1097.5 mm)
Number and type of doors: 1 Full
Internal Dimensions (depth): 23 13/16"
Internal Dimensions (height): 23 1/2"
Internal Dimensions (width): 24 1/16"
Shipping height: 47 1/4" (1200 mm)
Shipping weight: 231 lbs (105 kg)
Shipping volume: 28.57 ft³ (0.81 m³)
Number and type of grids (included): 1 - Vinyl-Coated Steel
Type of external material: Stainless Steel
Type of internal material: Polystyrene
Warranty: 3 / 5 years

Refrigeration Data

Compressor power:
Refrigerant type: R290
Refrigerant weight: 85 g
Operating temperature min.: 32 °F
Operating temperature max.: 41 °F
Condenser type: Fin & tube
Defrost type: Auto Defrost